



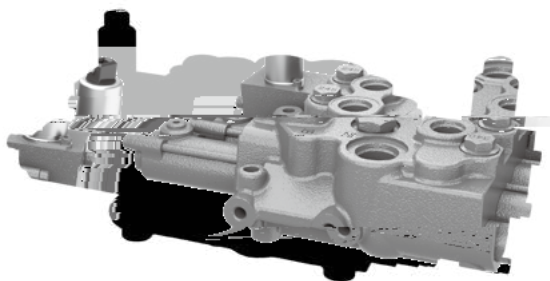
1.2

HVMH90

()

HVMH90

(L/min)	90
(bar)	315
(VDC)	12



	03
HIMH90	
‰	04
‰	05
‰	06

1.

2

‰

HHMH90

3

‰

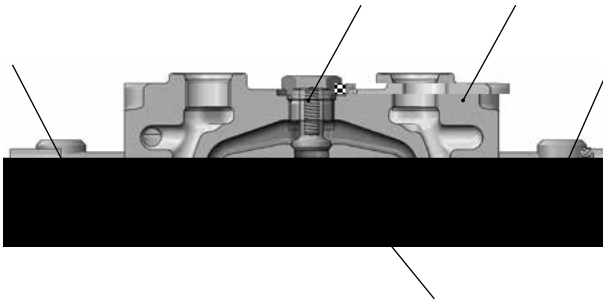
HHMH90

4.



α

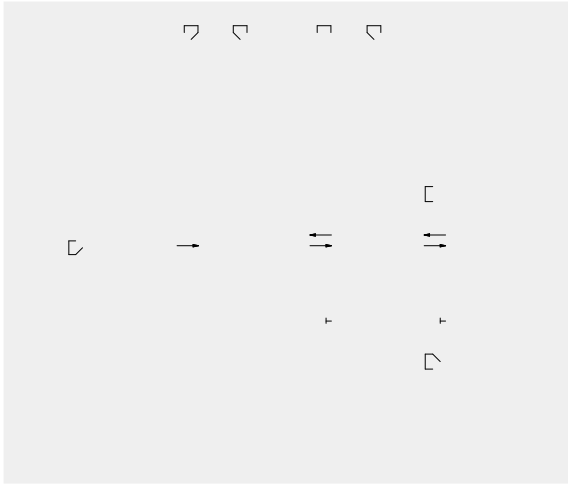
· HVMH90



1
2

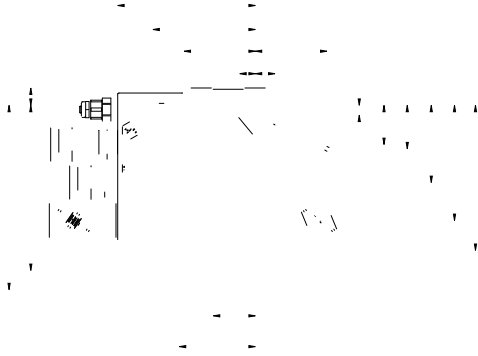
3
4

. HVMH90



α

· HVMH90



. HVMH90

α

