



2.27

35SD10-28 TYPE

Solenoid Directional Valve

Rated pressure (bar / psi) 240 / 3500

Peak flow (L/min / gpm) 75.7 / 20

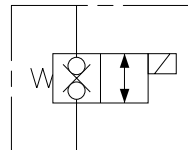
Features

- Continuous-duty rated coil
- Efficient wet-armature construction
- Cartridges are voltage interchangeable
- Optional waterproof E-Coils rated up to IP69K
- Industry common cavity
- Hardened parts for long life and low leakage

Contents

Description	02
Operation	02
Ordering code	02
Materials	02
Technical data	03
Performance	03
Dimensions	04

Symbol



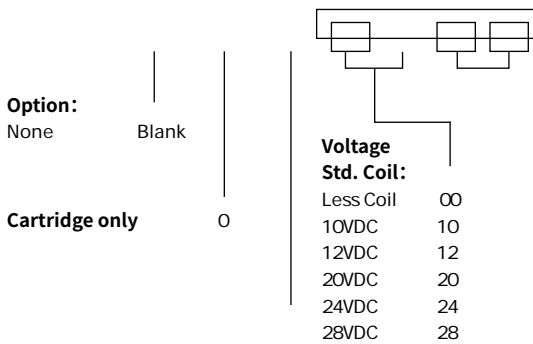
Description

A solenoid-operated, 2-way, normally closed, internally piloted, poppet-type, bi-directional blocking, screw-in hydraulic cartridge valve, designed for low leakage in load-holding applications.

Operation

When de-energized, the valve blocks flow in both directions.

When energized, the valve's poppet opens on its seat, allowing flow from to or to .



0

